

中山市百亚塑料制品有限公司

官网: www.baiyaplastic.com

邮箱: sales@baiyaplastic.com

座机: 0760-86338278

手机: +8613631279334

地址: 广东省中山市三乡镇泉眼村兴泉路 4 号

Zhongshan Baiya plastic products Co., LTD

Official website: www.baiyaplastic.com

E-mail: sales@baiyaplastic.com

Landline: 0760-86338278

Mobile: 13631279334

Address: No. 4, Xingquan Road, Quanyan Village, Sanxiang Town,
Zhongshan City, Guangdong Province



WhatsAPP

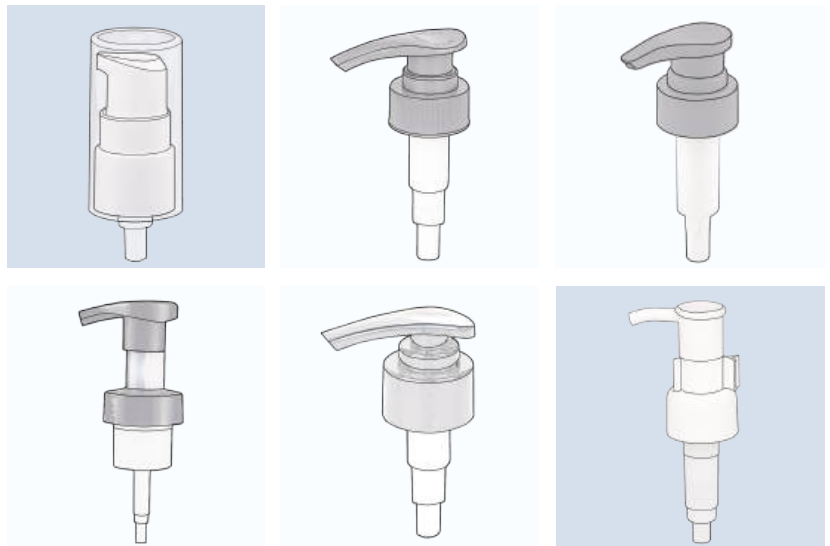


Wecaht



中山市百亚塑料制品有限公司

Zhongshan Baiya plastic products Co., LTD



创新 · 合作 · 共赢
Innovation · Cooperation · And Win-Win Situation



中山市百亚塑料制品有限公司

Company Profile

公司简介



厂房面积 40000 m²

Plant area of 40000 square meters



员工 300 人

200 employees



月产能 3000 万

Monthly production capacity 30 million



注塑机·100 台

Injection molding machine ·100units



自动组装线·25

Automatic assembly line · 20

■ 中山市百亚塑料制品有限公司

中山市百亚塑料制品有限公司是一家专业生产日化包装塑料泵头的厂家，集研发、注塑、组装和销售于一体的现代化企业。坐落于广东省中山市三乡镇，毗邻珠海。

现有厂房面积 40000 m²，员工 300 人，现有自动化注塑机 100 台，自动化组装线 25 条，综合月产能可达 3000 万个。

我们通过了 ISO-9001 质量管理体系认证，并获得高新技术企业荣誉，在日常生产管理中严格执行质量管理流程，使产品的质量得到充分的保证。这让我们成为了国内众多知名日化品牌的供应商，并能让产品出口全球。目前我司现有产品类目包含乳液泵及泡沫泵，拥有内置弹簧及外置弹簧结构，规格款式众多。并不断研发具备潜力的新产品。

质量第一，客户至上，全心服务客户是我司一贯的宗旨。以品质服务为核心，并在此基础上努力创造更高的效率和更低的成本，是我们一直的追求。

Zhongshan Baiya Plastic Products Co., Ltd. is a professional manufacturer of daily chemical packaging plastic pump head, set research and development, injection molding, assembly and sales in one of the modern enterprises. It is located in three towns, Zhongshan City, Guangdong Province, adjacent to Zhuhai.

The existing factory area of 40000 square meters, 300employees, the existing automatic injection molding machine 100 sets, automatic assembly line 25, the comprehensive monthly production capacity can reach 30million.

We have passed the ISO-9001 quality management system certification, and won the honor of high-tech enterprises, in the daily production management of strict implementation of quality management process, so that the quality of products is fully guaranteed. This has enabled us to become a supplier to many well-known domestic brands of daily chemicals and to export our products globally. At present, our existing products include emulsion pump and foam pump, with built-in spring and external spring structure, numerous specifications and styles. And continue to research and develop new products with potential.

Quality Prst, customer Prst, wholehearted customer service is our consistent purpose. Quality service as the core, and on this basis to create higher efficiency and lower costs, is our pursuit.

Welcome new and old customers to visit our company to visit guidance and negotiate business!



Production Environment

生产环境

拥有独立的模具车间、注塑车间和无尘组装车间，无尘车间能确保实施无尘车间净化工程，它能将空气的污染物和尘埃排除，制造一个洁净舒适的环境，确保每一件产品出品优质。

Has an independent mold workshop, injection workshop, and dust-free assembly workshop, to ensure that the implementation of dust-free workshop purification project, it can remove air pollutants and dust, create a clean and comfortable environment, to ensure that each product produced high quality.



注塑车间
Injection molding workshop



安装车间
Installation shop



无尘安装车间
Dust-free installation workshop



模房
Molding room



包装车间
Packaging workshop



仓库
warehouse



展厅
Exhibition hall



办公室
office

Quality Control

品质监控

产品研发和生产过程中，都经过产品尺寸、颜色对比、真空负压气密性、高低温、按压疲劳、拉脱力、扭力、出液量和跌落等测试。

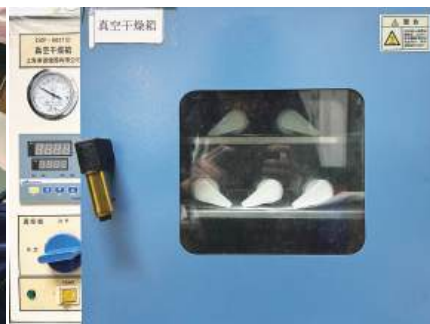
In the process of product development and production, product size, color contrast, vacuum negative pressure air tightness, high and low temperature, pressure fatigue, pulling force, torque, liquid output and drop test and other tests.



产品尺寸测试
Product size test



颜色对比测试
Color contrast test



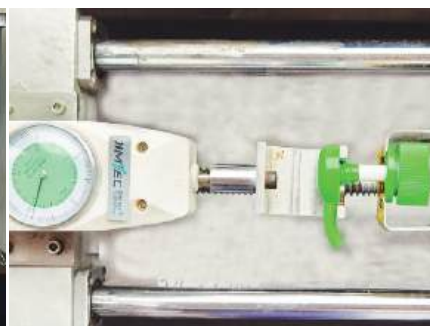
真空测漏测试
Vacuum side leakage test



高低温测试
High and low temperature test



按压疲劳测试
Compression fatigue test



拉脱力测试
Pull force test



扭力测试
Torsion test



辅料硬度测试
Hardness test of auxiliary materials



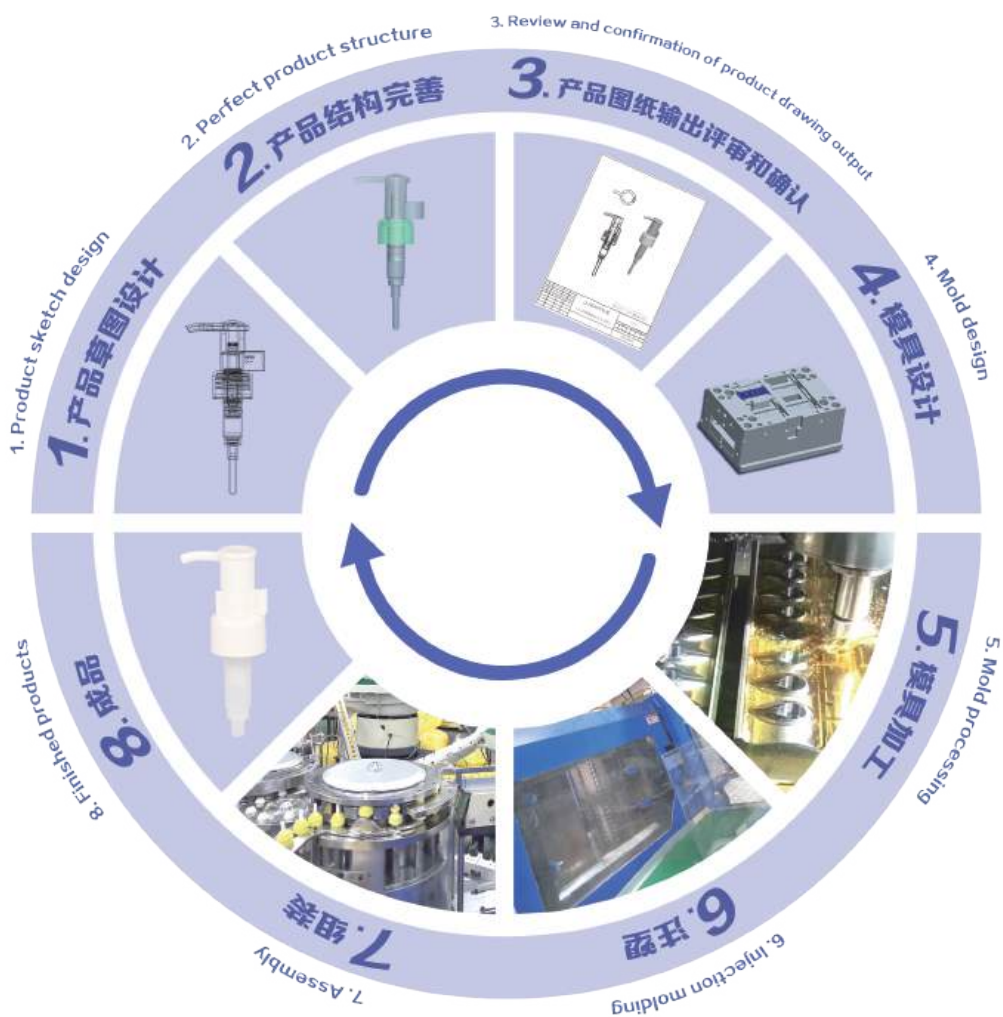
辅料腐蚀测试
Excipient corrosion test

Independent Design And Development Capability

独立的设计研发能力

我们有各种先进的模具设计、分析、加工软件，精密手摇小磨床、精密平面大磨床、精密火花机、CNC 镜面火花机、精密车床、精密铣车，注塑机组装机等生产设备，给我们设计和研发产品提供了坚实的基础。

We have a variety of advanced mold design, analysis, processing software, precision hand small grinder, precision surface grinder, precision spark machine, CNC mirror spark machine, precision lathe, precision milling machine, injection machine and other production equipment. It provides us with a solid foundation for designing and developing products.



Qualification Certification

资质认证



(百亚) 1 实用新型
一种剩余沐浴露挤出装置
Utility model: a residual body wash extrusion device



(百亚) 2 实用新型
一种化妆品原液自动挤出装置
Utility model: a cosmetic stock liquid automatic extrusion device



(百亚) 3 实用新型
一种蔬菜泥灌装机挤压出料装置
Utility model: The utility model relates to an extrusion discharge device of vegetable mud filling machine.



(百亚) 4 实用新型
一种可调节使用量的挤压式业化妆品瓶
Utility model: an adjustable usage of extrusion type commercial cosmetics bottle



(百亚) 5 实用新型
一种洗面奶挤出装置
Utility model: a facial washing milk extrusion device



(百亚) 6 实用新型
一种具有防水结构的乳液泵
Utility model: A emulsion pump with water-proof structure



(百亚) 7 实用新型
一种具有防溢液结构的乳液泵
Utility model: A emulsion pump with anti-spill structure



(百亚) 8 实用新型
液泵瓶盖
Utility model: liquid pump bottle cap



ISO9001 认证
ISO9001 certification



高新技术企业证书
High-tech Enterprise Certificate

DIRECTORY



目录

产品系列 Product Series

0.25/0.5cc 外置弹簧乳液 / 精油泵 0.25/0.5cc external spring emulsion/oil pump ···· 08 ~ 12

0.8/1.0cc 外置弹簧乳液 / 精油泵 0.8/1.0cc external spring emulsion/oil pump ···· 13 ~ 15

2.3cc 外置弹簧乳液泵 2.3cc external spring emulsion pump ···· 16 ~ 19

4.0cc 外置弹簧乳液泵 4.0cc external spring emulsion pump ···· 20 ~ 23

30cc 乳液泵 30cc Lotion Pump ······ 24

2.0cc 乳液泵 2.0cc Lotion Pump ······ 25~ 30

4.0cc 乳液泵 4.0cc Lotion Pump ······ 31 ~ 37

0.4/0.8/1.5cc 外置弹簧泡沫泵 0.4/0.8/1.5cc external spring foam pump ····· 38~ 41

工艺介绍 Process Introduction ····· 42



0.25/0.5cc 外置弹簧乳液 / 精油泵

0.25/0.5cc external spring emulsion/oil pump



产品参数

Product parameter

出液量 : $0.25 \pm 0.05\text{cc}$ 、 $0.5 \pm 0.1\text{cc}$ Fluid volume : $0.25 \pm 0.05\text{cc}$ 、 $0.5 \pm 0.1\text{cc}$

尺寸 : 18/400、18/410

Size : 18/400、18/410

20/400、20/410

20/400、20/410

24/400、24/410

24/400、24/410

开启方式 : 防尘盖、左右锁

Opening mode: dust cover, left and right lock

可搭配按咀 Can Be Used With Button



A



B



C



D



H



J



M



P



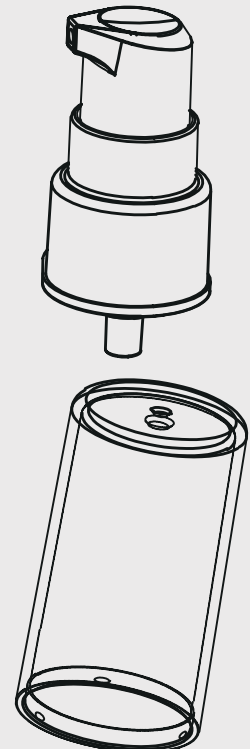
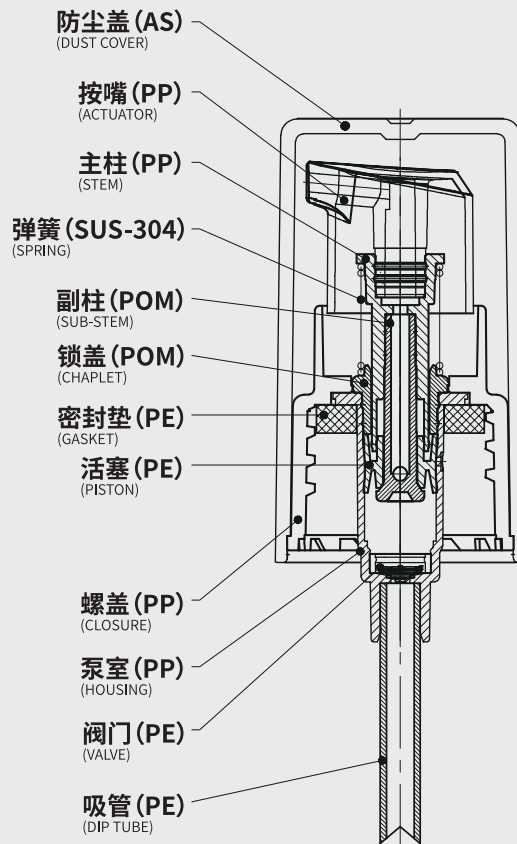
Q



R



E





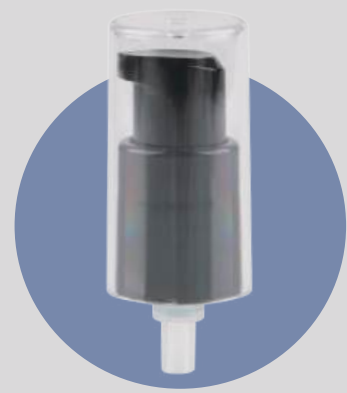
BY0025WZ-001

φ18/400



BY0025WZ-002

φ18/410



BY0025WZ-003

φ18/410



BY0025WZ-004

φ20/410



BY0025WZ-005

φ20/410



BY0025WZ-006

φ20/410



BY0025WZ-007

φ20/410



BY0025WZ-008

φ20/410



BY0025WZ-009

φ20/410



BY0025WZ-010

φ20/400 20/410



BY0025WZ-011

φ20/400 20/410



BY0025WZ-012

φ24/410



BY0025WZ-013

φ24/410



BY0025WZ-014

φ24/410



BY0025WZ-015

φ24/410



BY0025WZ-016

φ24/410



BY0025WZ-017

φ24/410



BY0025WZ-018

φ24/410



BY0025WZ-019

φ24/410



BY0025WZ-020

φ24/410



BY0025WZ-021

φ24/400



BY0025WZ-022

φ24/410



BY0025WZ-023

φ20/410



BY0025WZ-024

φ20/410 φ24/410



BY0025WZ-025

φ20/410



BY0025WZ-026

φ20/410



BY0025WZ-027

φ24/410

0.8/1.0cc 外置弹簧乳液 / 精油泵

0.8/1.0cc external spring emulsion/oil pump



产品特点

外置弹簧，舒适按压，起泵顺畅；液体起泵不经过弹簧，防止液体与弹簧发生不良反应导致腐蚀弹簧生锈污染液体，使产品卫生安全更有保证。

产品参数

出液量：0.8±0.1cc，1.0±0.1cc
尺寸：24/410
开启方式：卡扣、左右锁

Product features:

The external spring is comfortable to press, and the pump is smooth; the liquid is not pumped through the spring to prevent the adverse reaction between the liquid and the spring, which will cause the corrosion of the spring to rust and contaminate the liquid, making the product more hygienic and safe.

Product parameters:

Fluid volume: 0.8±0.1cc, 1.0±0.1cc
Size: 24/410
Opening method: buckle, left right lock



BY0080WZ-001

φ24/410



BY0080WZ-002

φ24/410



BY0080WZ-003

φ24/410(光身 / 磨砂)



BY0080WZ-004

φ24/410(光身 / 磨砂)



BY0080WZ-005

φ24/410



BY0080WZ-006

φ24/410



BY0080WZ-007

φ24/410



BY0080WZ-008

φ24/410



BY0080WZ-009

φ24/410



BY0080WZ-011

φ28/410



BY0080WZ-012

φ28/410



BY0080WZ-013

φ28/410



BY0080WZ-014

φ28/410



BY0080WZ-015

φ28/410



BY0080WZ-016

φ28/410

2.3cc 外置弹簧乳液泵

2.3cc external spring lotion pump

产品特点

Product Features

外置弹簧，舒适按压，起泵顺畅，液体起泵不经过弹簧，防止液体与弹簧发生不良反应导致腐蚀弹簧生锈污染液体，使产品卫生安全更有保证。

External spring, comfortable pressing, smooth pumping, liquid pumping does not pass through the spring, preventing adverse reactions between the liquid and the spring, causing corrosion of the spring, rusting and contaminating the liquid, making the product more hygienic and safe.

产品参数

Product parameters

出液量: $2.3 \pm 0.2\text{cc}$

尺寸: 24/410、28/410

开启方式: 螺旋锁

Fluid volume: $2.3 \pm 0.2\text{cc}$

Size: 24/410、28/410

Opening method: spiral lock





可搭配按咀 Can Be

Used With



BA 磨砂



HA



HB



HC 磨砂



NA



PA



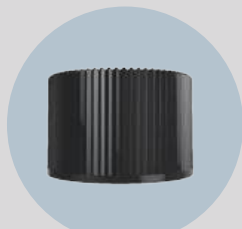
UA



ZC

可搭配螺牙

Can Be Matched With Screws



24/410CA 条纹



28/410CD 条纹



24/410CB 光面



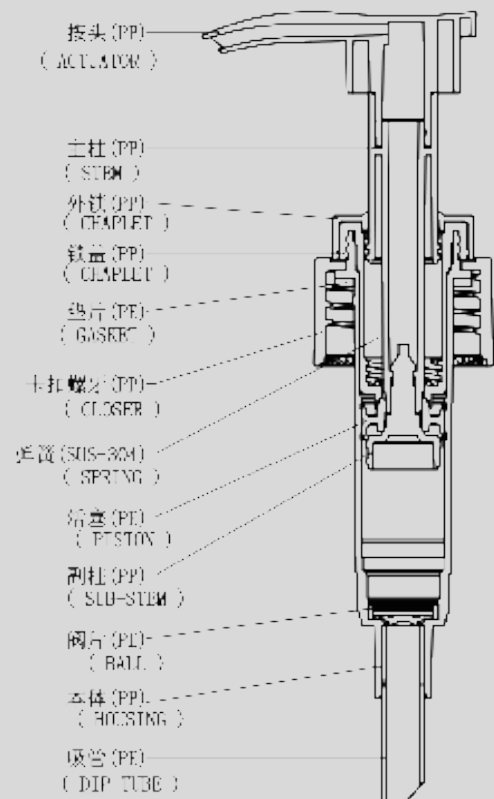
28/410CE 光面



24/410CC 磨砂



28/410FC 磨砂





BY0230WZ-001

φ24/410 φ28/410



BY0230WZ-002

φ24/410 φ28/410



BY0230WZ-003 (磨砂)

φ24/410 φ28/410



BY0230WZ-004

φ24/410 φ28/410



BY0230WZ-005

φ24/410 φ28/410



BY0230WZ-006

φ24/410 φ28/410



BY0230WZ-007

φ24/410 φ28/410



BY0230WZ-008

φ24/410 φ28/410



BY0400WZ-009

φ24/410 φ28/410



BY0230WZ-010

φ24/410 φ28/410



BY0230WZ-011

φ24/410 φ28/410



BY0230WZ-012

φ24/410 φ28/410



BY0230WZ-013

φ24/410 φ28/410



BY0080WZ014

φ24/410 φ28/410



BY0230WZ-015

φ24/410 φ28/410



BY0230WZ-016

φ24/410 φ28/410



BY0230WZ-017

φ24/410 φ28/410



BY0230WZ-018

φ24/410 φ28/410

4.0cc 外置弹簧乳液泵

4.0cc external spring lotion pump

产品特点

Product Features

外置弹簧，舒适按压，起泵顺畅，液体起泵不经过弹簧，防止液体与弹簧发生不良反应导致腐蚀弹簧生锈污染液体，使产品卫生安全更有保证。

External spring, comfortable pressing, smooth pumping, liquid pumping does not pass through the spring, preventing adverse reactions between the liquid and the spring, causing corrosion of the spring, rusting and contaminating the liquid, making the product more hygienic and safe.

产品参数

Product parameters

出液量: $4.0 \pm 0.4\text{cc}$

尺寸: 28/410、33/410

开启方式: 螺旋锁

Fluid volume: $4.0 \pm 0.4\text{cc}$

Size: 28/410、33/410

Opening method: spiral lock





可搭配按咀 Can Be Used With Button



OQ



BA



BD



CB



DA



HB



HB 磨砂



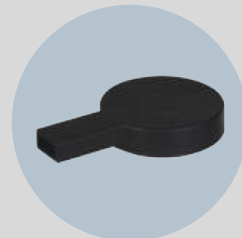
PA



PD



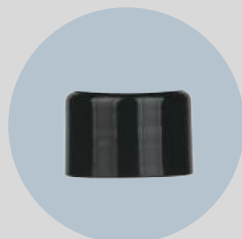
HC



XA 磨砂

可搭配螺牙

Can Be Matched With Screws



28/410K 光面



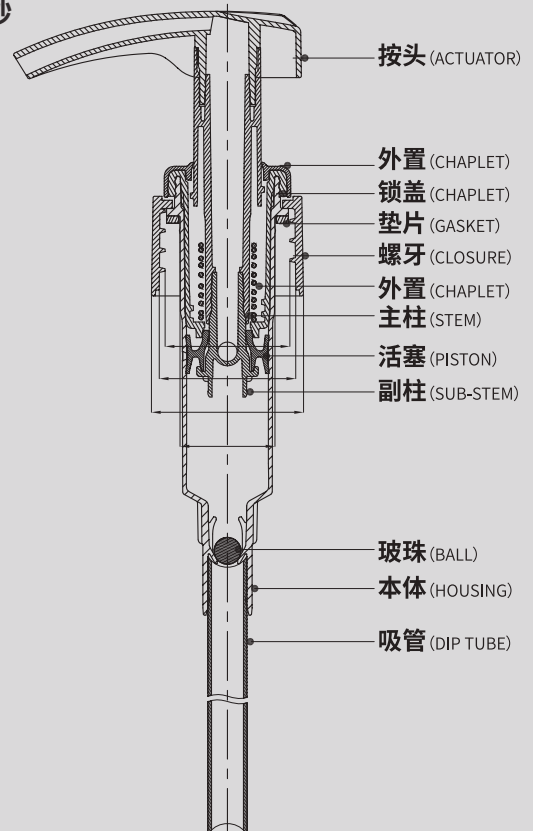
28/410L 磨砂



33/410H 光面



33/410H 磨砂





BY0400WZ-001

φ28/410 φ33/410



BY0400WZ-002

φ28/410 φ33/410



BY0400WZ-003

φ28/410 φ33/410



BY0400WZ-004

φ28/410 φ33/410



BY0400WZ-005

φ28/410 φ33/410



BY0400WZ-006

φ28/410 φ33/410



BY0400WZ-007

φ28/410 φ33/410



BY0400WZ-008

φ28/410 φ33/410



BY0400WZ-009

φ28/410 φ33/410



BY0400WZ-010

φ28/410 φ33/410



BY0400WZ-011

φ28/410 φ33/410



BY0400WZ-012

φ28/410 φ33/410



BY0400WZ-013

φ28/410 φ33/410



BY0400WZ-005

φ28/410 φ33/410



BY0400WZ-006

φ28/410 φ33/410



BY0400WZ-007

φ28/410 φ33/410



BY0400WZ-008

φ28/410 φ33/410



BY0400WZ-009

φ28/410 φ33/410



30cc 乳液泵

30cc lotion pump

产品特点:

强力弹簧，按压顺畅
出液量大，省时高效

产品参数:

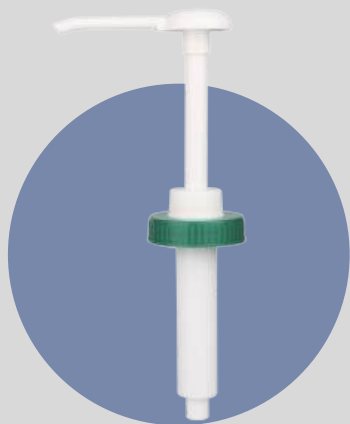
出液量：
30 ± 3.0cc
尺寸：54/400

Product features:

Strong spring, smooth pressing
Large liquid output, time-saving and efficient

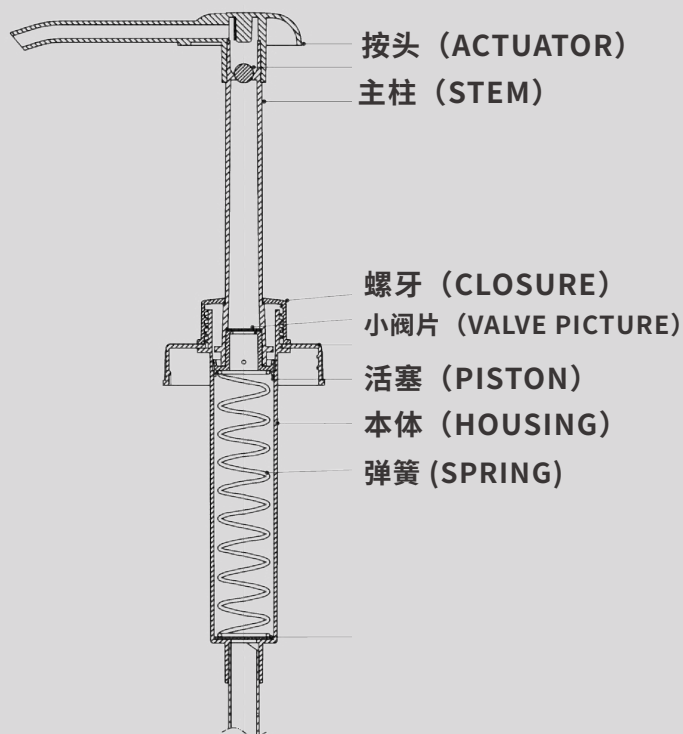
Product parameters:

Liquid output:
30 ± 3.0cc
Size: 54/400



BY3000NZ-001

φ54/400



2.0cc 乳液泵

2.0cc lotion pump

产品特点:

舒适按压, 起泵顺畅, 经典系列, 款式多样

产品参数:

出液量: 2.0 ± 0.2 cc

尺寸: 24/410、24/415、28/400、28/410、28/415

开启方式: 螺旋锁

Product features:

Comfortable pressing, smooth pumping, classic series, various styles

Product parameters:

Fluid volume: 2.0 ± 0.2 cc

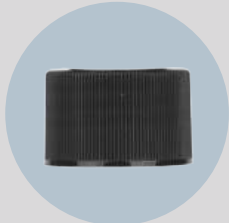
Size: 24/410, 24/415, 28/400, 28/410, 28/415

Opening method: spiral lock





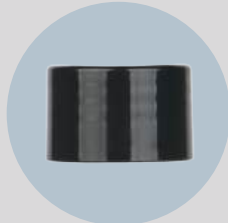
可搭配螺牙 Can Be Matched With Screws



24/410A



24/410B



24/410E



24/410H(磨砂)



28/415L



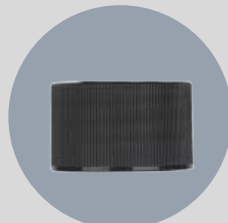
24/410M



24/415I



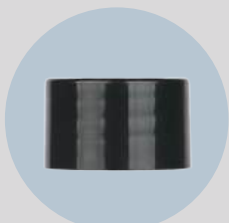
24/415J



28/410C



28/418N



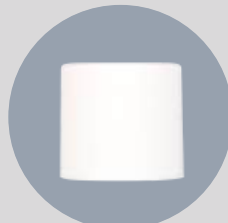
28/410F



28/410G(磨砂)



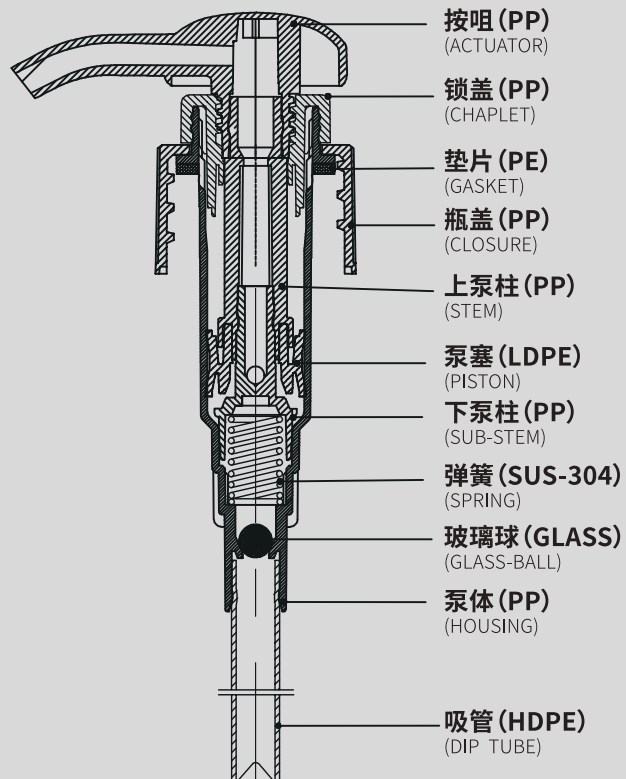
28/410Q



28/415K



28/400D





BY0200NZ-002

φ24/410 φ24/415
φ28/400 φ28/410
φ28/415



BY0200NZ-003

φ24/410 φ24/415
φ28/400 φ28/410
φ28/415



BY0200NZ-004

φ24/410 φ24/415
φ28/400 φ28/410
φ28/415



BY0200NZ-005

φ24/410 φ24/415
φ28/400 φ28/410
φ28/415



BY0200NZ-006

φ24/410 φ24/415
φ28/400 φ28/410
φ28/415



BY0200NZ-007

φ24/410 φ24/415
φ28/400 φ28/410
φ28/415



BY0200NZ-008

φ24/410 φ24/415
φ28/400 φ28/410
φ28/415



BY0200NZ-009

φ24/410 φ24/415
φ28/400 φ28/410
φ28/415



BY0200NZ-010

φ24/410 φ24/415
φ28/400 φ28/410
φ28/415



BY0200NZ-011

φ24/410 φ24/415
φ28/400 φ28/410
φ28/415



BY0200NZ-012

φ24/410 φ24/415
φ28/400 φ28/410



BY0200NZ-013

φ24/410 φ24/415
φ28/400 φ28/410
φ28/415



BY0200NZ-014

φ24/410 φ24/415
φ28/400 φ28/410
φ28/415



BY0200NZ-015

φ24/410 φ24/415
φ28/400 φ28/410
φ28/415



BY0200NZ-016

φ24/410 φ24/415
φ28/400 φ28/410
φ28/415



BY0200NZ-017

φ24/410 φ24/415
φ28/400 φ28/410
φ28/415



BY0200NZ-018

φ24/410 φ24/415
φ28/400 φ28/410
φ28/415



BY0200NZ-019

φ24/410 φ24/415
φ28/400 φ28/410
φ28/415



BY0200NZ-020

φ24/410 φ24/415
φ28/400 φ28/410
φ28/415



BY0200NZ-021

φ24/410 φ24/415
φ28/400 φ28/410
φ28/415



BY0200NZ-022

φ24/410 φ24/415
φ28/400 φ28/410
φ28/415



BY0200NZ-023

φ24/410 φ24/415
φ28/400 φ28/410
φ28/415



BY0200NZ-024

φ24/410 φ24/415
φ28/400 φ28/410



BY0200NZ-025

φ24/410 φ24/415
φ28/400 φ28/410
φ28/415



BY0200NZ-026

φ24/410 φ24/415
φ28/400 φ28/410
φ28/415



BY0200NZ-027

φ24/410 φ24/415
φ28/400 φ28/410
φ28/415



BY0200NZ-028

φ24/410 φ24/415
φ28/400 φ28/410
φ28/415



BY0200NZ-029

φ24/410 φ24/415
φ28/400 φ28/410
φ28/415



BY0200NZ-030

φ24/410 φ24/415
φ28/400 φ28/410
φ28/415



BY0200NZ-031

φ24/410 φ24/415
φ28/400 φ28/410
φ28/415



BY0200NZ-032

φ24/410 φ24/415
φ28/400 φ28/410
φ28/415



BY0200NZ-033

φ24/410 φ24/415
φ28/400 φ28/410
φ28/415



BY0200NZ-034

φ24/410 φ24/415
φ28/400 φ28/410
φ28/415



BY0200NZ-035

φ24/410 φ24/415
φ28/400 φ28/410
φ28/415



BY0200NZ-036

φ24/410 φ24/415
φ28/400 φ28/410



BY0200NZ-037

φ24/410 φ24/415
φ28/400 φ28/410
φ28/415



4.0/5.0cc 乳液泵

4.0/5.0cc lotion pump

产品特点

Product Features

舒适按压，起泵顺畅
经典系列，款式多样

Comfortable pressing and smooth pumping
Classic series, various styles

产品参数

Product Features

出液量: 4.0 ± 0.04 5.0 ± 0.05

尺寸: 28/410、30/410、30/415
33/400、33/410、33/415
38/400、38/410

Fluid volume: 4.0 ± 0.04 5.0 ± 0.05

size: 28/410, 30/410, 30/415
33/400, 33/410, 33/415
38/400, 38/410

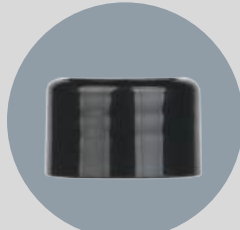




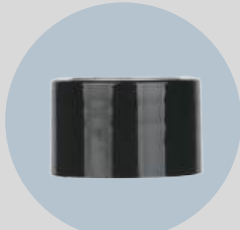
可搭配螺牙 Can Be Matched With Screws



28/410J



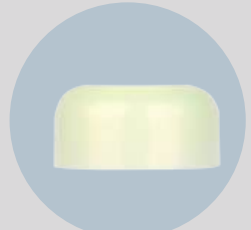
28/410K1



28/410K2



28/410M



33/410U



28/410V



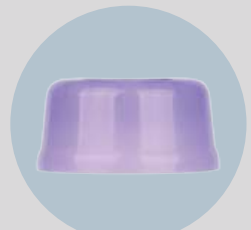
30/410C



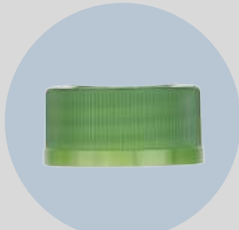
30/415D



33/410AD



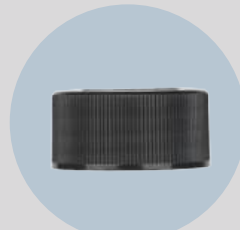
33/410Z



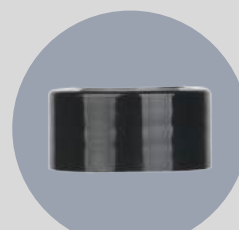
33/410AK



33/410AP



33/410AE



33-410H



33/415AR



33/410T



38/400FK



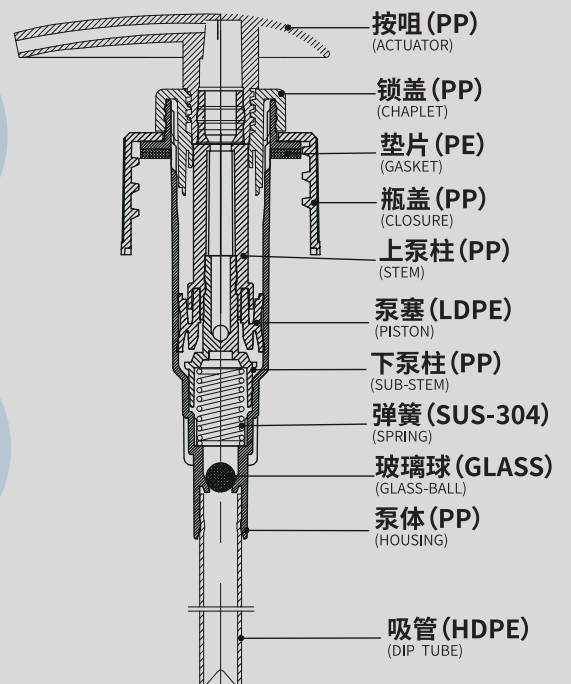
24/415W



38/410EK



33/410G





BY0400NZ-001

φ28/410 φ30/410 φ30/415
φ33/400 φ33/410 φ33/415
φ38/400 φ38/410



BY0400NZ-002

φ28/410 φ30/410 φ30/415
φ33/400 φ33/410 φ33/415
φ38/400 φ38/410



BY0400NZ-003

φ28/410 φ30/410 φ30/415
φ33/400 φ33/410 φ33/415
φ38/400 φ38/410



BY0400NZ-004

φ28/410 φ30/410 φ30/415
φ33/400 φ33/410 φ33/415
φ38/400 φ38/410



BY0400NZ-005

φ28/410 φ30/410 φ30/415
φ33/400 φ33/410 φ33/415
φ38/400 φ38/410



BY0400NZ-006

φ28/410 φ30/410 φ30/415
φ33/400 φ33/410 φ33/415
φ38/400 φ38/410



BY0400NZ-007

φ28/410 φ30/410 φ30/415
φ33/400 φ33/410 φ33/415
φ38/400 φ38/410



BY0400NZ-008

φ28/410 φ30/410 φ30/415
φ33/400 φ33/410 φ33/415
φ38/400 φ38/410



BY0400NZ-009

φ28/410 φ30/410 φ30/415
φ33/400 φ33/410 φ33/415
φ38/400 φ38/410



BY0400NZ-010

φ28/410 φ30/410 φ30/415
φ33/400 φ33/410 φ33/415
φ38/400 φ38/410



BY0400NZ-011

φ28/410 φ30/410 φ30/415
φ33/400 φ33/410 φ33/415
φ38/400 φ38/410



BY0400NZ-012

φ28/410 φ30/410 φ30/415
φ33/400 φ33/410 φ33/415
φ38/400 φ38/410



BY0400NZ-013

φ28/410 φ30/410 φ30/415
φ33/400 φ33/410 φ33/415
φ38/400 φ38/410



BY0400NZ-014

φ28/410 φ30/410 φ30/415
φ33/400 φ33/410 φ33/415
φ38/400 φ38/410



BY0400NZ-015

φ28/410 φ30/410 φ30/415
φ33/400 φ33/410 φ33/415
φ38/400 φ38/410



BY0400NZ-016

φ28/410 φ30/410 φ30/415
φ33/400 φ33/410 φ33/415
φ38/400 φ38/410



BY0400NZ-017

φ28/410 φ30/410 φ30/415
φ33/400 φ33/410 φ33/415
φ38/400 φ38/410



BY0400NZ-018

φ28/410 φ30/410 φ30/415
φ33/400 φ33/410 φ33/415
φ38/400 φ38/410



BY0400NZ-019

φ28/410 φ30/410 φ30/415
φ33/400 φ33/410 φ33/415
φ38/400 φ38/410



BY0400NZ-020

φ28/410 φ30/410 φ30/415
φ33/400 φ33/410 φ33/415
φ38/400 φ38/410



BY0400NZ-021

φ28/410 φ33/410



BY0400NZ-022

φ28/410 φ30/410 φ30/415
φ33/400 φ33/410 φ33/415
φ38/400 φ38/410



BY0400NZ-023

φ28/410 φ30/410 φ30/415
φ33/400 φ33/410 φ33/415
φ38/400 φ38/410



BY0400NZ-024

φ28/410 φ30/410 φ30/415
φ33/400 φ33/410 φ33/415
φ38/400 φ38/410



BY0400NZ-025

φ28/410 φ30/410 φ30/415
φ33/400 φ33/410 φ33/415
φ38/400 φ38/410



BY0400NZ-026

φ28/410 φ30/410 φ30/415
φ33/400 φ33/410 φ33/415
φ38/400 φ38/410



BY0400NZ-027

φ28/410 φ30/410 φ30/415
φ33/400 φ33/410 φ33/415
φ38/400 φ38/410



BY0400NZ-028

φ28/410 φ30/410 φ30/415
φ33/400 φ33/410 φ33/415
φ38/400 φ38/410



BY0400NZ-029

φ28/410 φ30/410 φ30/415
φ33/400 φ33/410 φ33/415
φ38/400 φ38/410



BY0400NZ-030

φ28/410 φ30/410 φ30/415
φ33/400 φ33/410 φ33/415
φ38/400 φ38/410



BY0400NZ-031

φ28/410 φ30/410 φ30/415
φ33/400 φ33/410 φ33/415
φ38/400 φ38/410



BY0400NZ-032

φ28/410 φ30/410 φ30/415
φ33/400 φ33/410 φ33/415
φ38/400 φ38/410



BY0400NZ-033

φ28/410 φ30/410 φ30/415
φ33/400 φ33/410 φ33/415
φ38/400 φ38/410



BY0400NZ-034

φ28/410 φ30/410 φ30/415
φ33/400 φ33/410 φ33/415
φ38/400 φ38/410



BY0400NZ-035

φ28/410 φ30/410 φ30/415
φ33/400 φ33/410 φ33/415
φ38/400 φ38/410



BY0400NZ-036

φ45/410



BY0400NZ-037

φ28/410 φ30/410
φ30/415
φ33/400 φ33/410



BY0400NZ-038

φ28/410 φ30/410 φ30/415
φ33/400 φ33/410 φ33/415
φ38/400 φ38/410



BY0400NZ-039

φ28/410 φ30/410 φ30/415
φ33/400 φ33/410 φ33/415



BY0400NZ-040

φ28/410 φ30/410 φ30/415
φ33/400 φ33/410 φ33/415
φ38/400 φ38/410



BY0400NZ-041

φ28/410 φ30/410 φ30/415
φ33/400 φ33/410 φ33/415
φ38/400 φ38/410



BY0400NZ-042

φ28/410 φ30/410 φ30/415
φ33/400 φ33/410 φ33/415
φ38/400 φ38/410



BY0400NZ-043

φ28/410 φ30/410 φ30/415
φ33/400 φ33/410 φ33/415
φ38/400 φ38/410



BY0400NZ-044

φ28/410 φ30/410 φ30/415
φ33/400 φ33/410 φ33/415
φ38/400 φ38/410



BY0400NZ-045

φ28/410 φ30/410 φ30/415
φ33/400 φ33/410 φ33/415
φ38/400 φ38/410



0.4/0.8/1.5cc 外置弹簧泡沫泵

0.4/0.8/1.5cc External Spring Foam Pump

产品特点

Product Features

按压顺畅，外置弹簧，可以避免弹簧与液体接触可能带来的生锈腐蚀影响，使卫生安全更有保证

Smooth pressing, external spring, can avoid contact between spring and liquid. The possible rust and corrosion effects make hygiene and safety more guaranteed.

产品参数

Product parameters

出液量 : 0.4cc/0.8cc/1.5c

尺寸 : 30/410 40/410 43/400 43/410

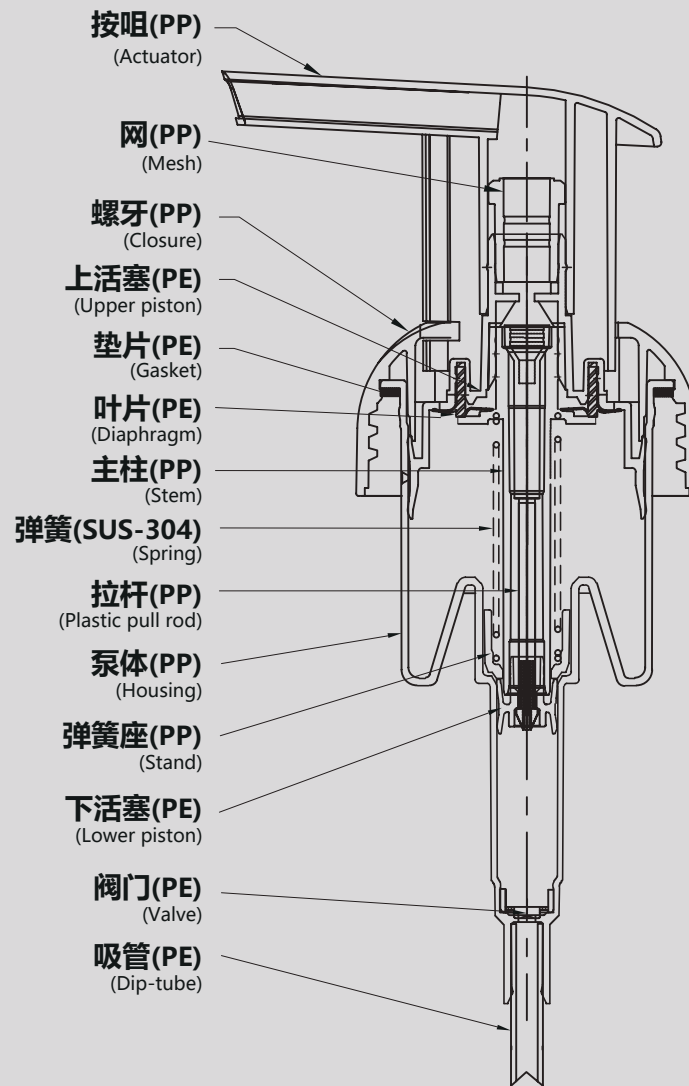
开启方式 : 卡扣 / 左右锁 / 防尘盖

Fluid volume: 0.4cc/0.8cc/1.5c

Size: 30/410 40/410 43/400 43/410

Opening method: buckle/left and right locks/dust cover





BY0040WZ-001

φ30/410



BY0040WZ-002

φ30/410



BY0040WZ-003

φ30/410



BY0040WZ-004

φ30/410



BY0040WZ-005

φ30/410



BY0040WZ-006

φ30/410



BY0080WZ-007

φ40/410



BY0080WZ-008

φ40/410



BY0080WZ-009

φ40/410 φ43/400
φ43/410



BY0080WZ-010

φ40/410 φ43/400
φ43/410



BY0080WZ-011

φ40/410 φ43/400
φ43/410



BY0080WZ-012

φ40/410 φ43/400
φ43/410



BY0080WZ-013

φ40/410 φ43/400
φ43/410



BY0080WZ-014

φ40/410 φ43/400
φ43/410



BY0080WZ-015

φ40/410 φ43/400
φ43/410



BY0080WZ-016

φ43/400



BY0080WZ-017

φ40/410



BY0080WZ-018

φ40/410



BY0080WZ-019

φ43/410



BY0080WZ-020

φ43/410

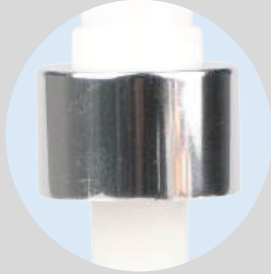


BY0080WZ-021

φ43/410



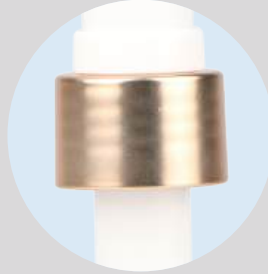
工艺介绍 Process Introduction



亮银电化铝
Bright silver anodized



亮金电化铝
Bright gold anodized



哑面电化铝
Matte anodized aluminum



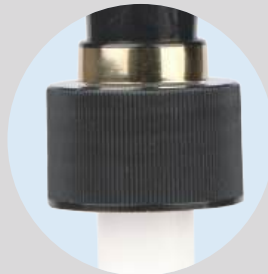
切线电化铝
Tangent anodized aluminum



木纹水转印
Wood grain Water transfer printing



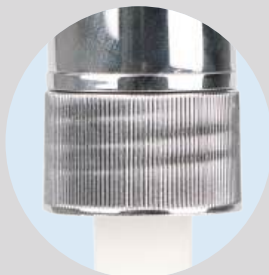
竹木
Bamboo



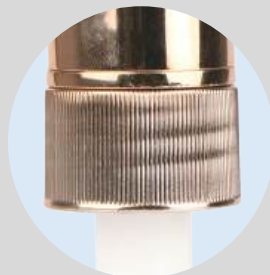
烫金
Bronzing



磨砂喷涂
Frosted spray coating



亮银电镀
Bright silver electroplating



亮金电镀
Bright gold electroplating



哑面电镀
Matte plating